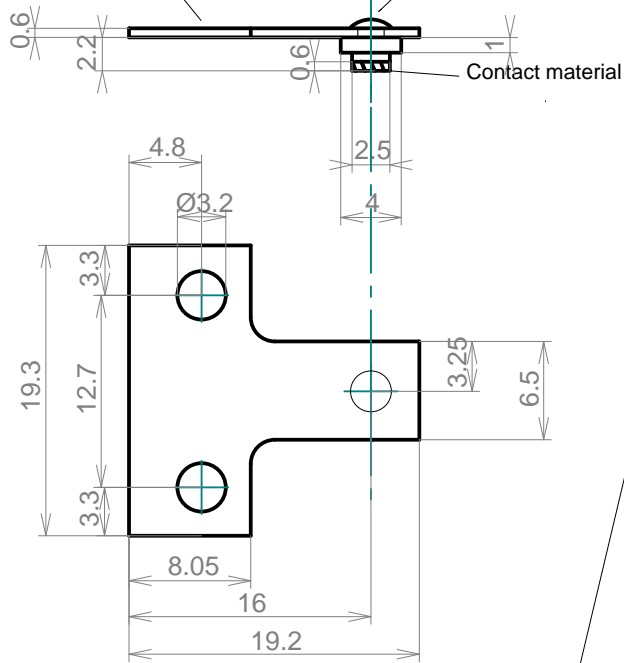
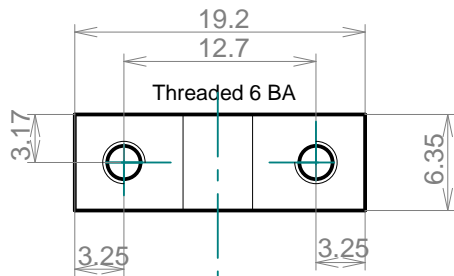
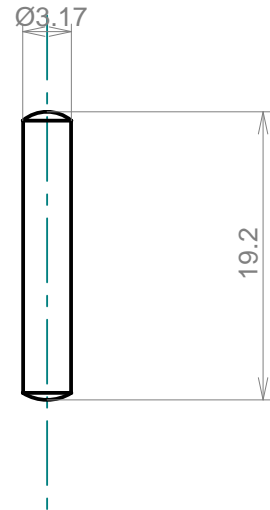


### Contact holder

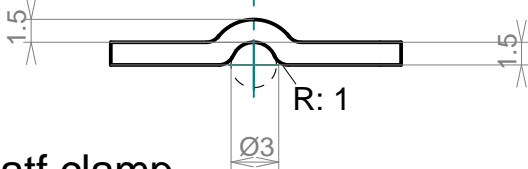
Material: Non magnetic, looking like silver  
 Contact socket soft iron



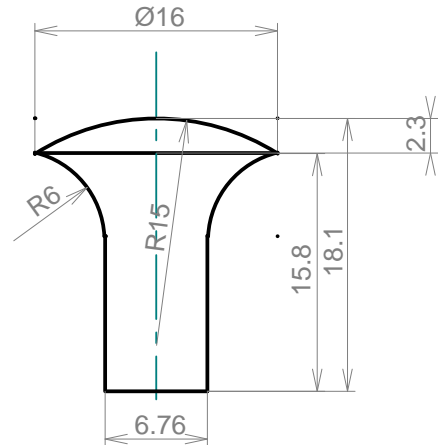
### Iron lever shaft



Metal non magnetic, grey, non identified



Shaft clamp



Colour: Black  
 looking like Bakelit ,

## Paraset keyer parts

Drawing by F6eju - Dimensions from f4smx original collection

Scale 2/1 all dimensions are in metric

European projection