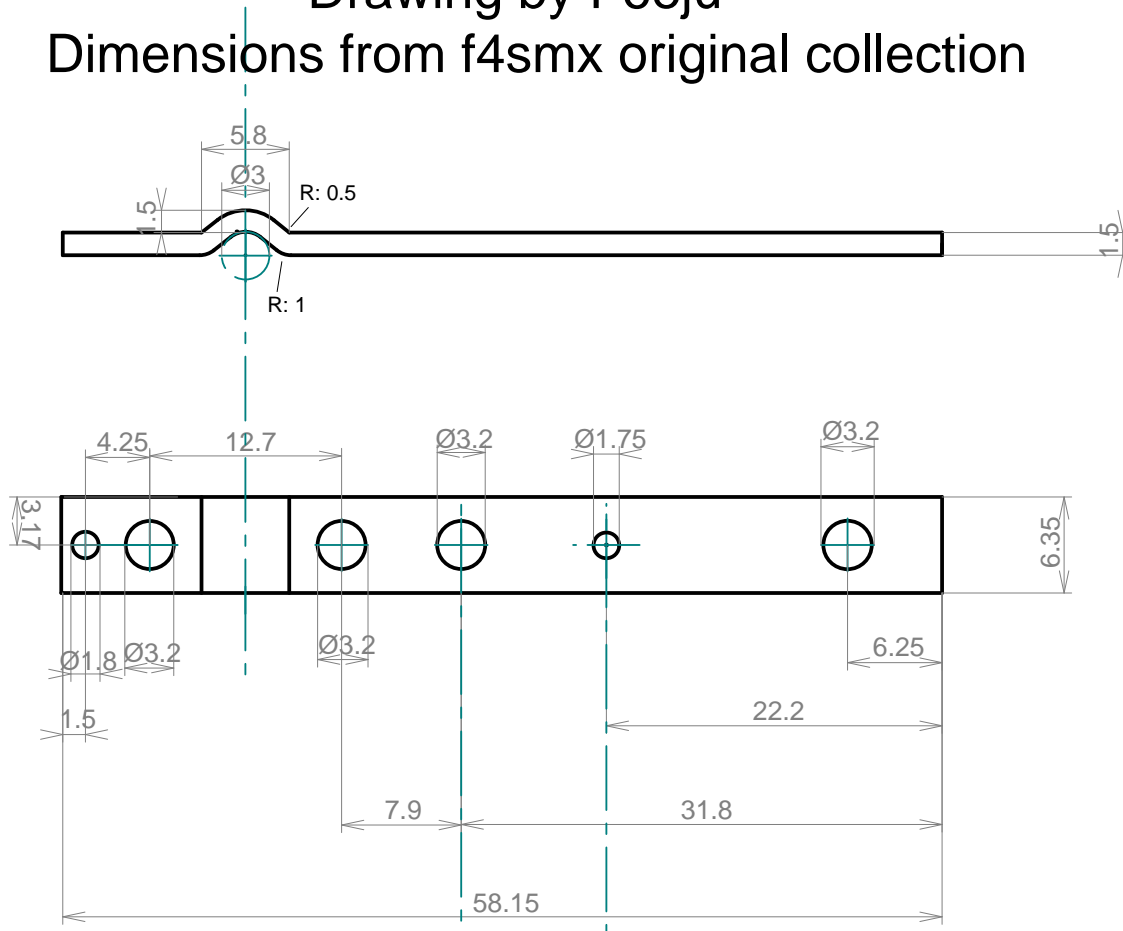


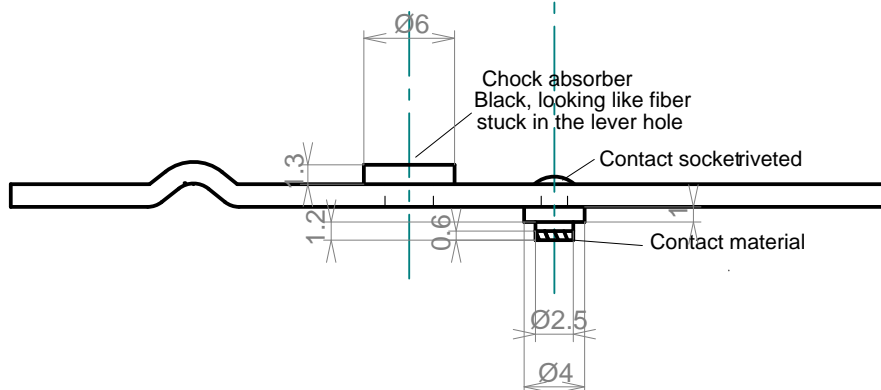
Paraset keyer lever

Drawing by F6eju

Dimensions from f4smx original collection



lever assembled, viewed on the side



Materials

Lever : metal non magnetic, grey, non identified

Contact socket: Magnetic, soft iron

Chock absorber: Black but not bakelite, looks like fiber