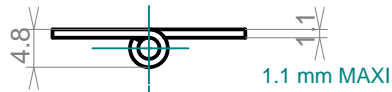
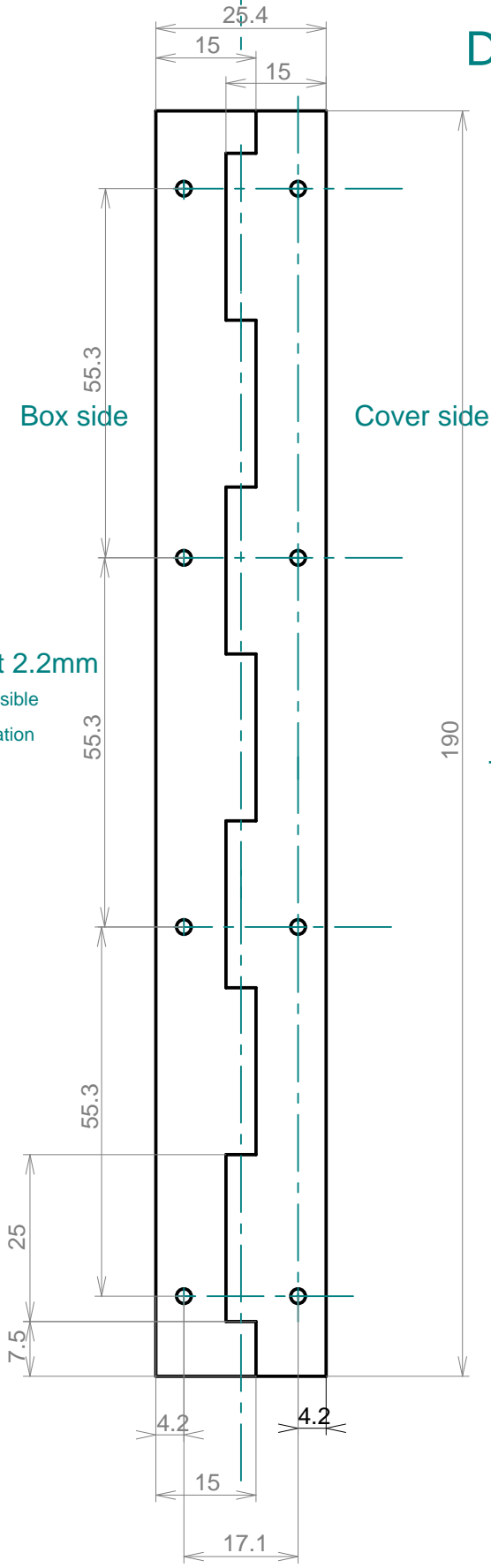


Internal side into cover and box



External side



Box side

Cover side

# PARASET METAL BOX

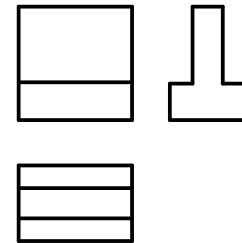
## Original paraset Hinge

Drawing by F6eju thanks to  
F4smx collection

Part # 4

Scale 1/1

European projection



Holes should be about 2.2mm

Due to the rivets it was impossible to measure the holes of fixation

Metal white, non magnetic

The rivets looks like those of aircraft  
see pictures of the original box

F6EJU Dec 2009

metric dimensions