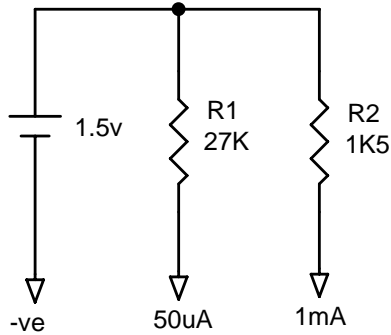


## The Tri-pus

(sort out those surplus meters)

Meters, especially good moving coil meters, are expensive items to buy. I have usually tried to buy them at bargain prices in flea markets. But .... what is the full scale deflection? ... and ... is that surplus meters fully working? This very simple test item can answer both questions. It is called the Tri-pus because it looks like an octopus with three legs.



The Tri-pus is simply a battery with two choices of series resistance to check the full scale deflection of an unknown meter.

The values, 27K and 1.5K give roughly a full scale deflection of 50uA and 1mA. I say roughly because they are nearest preferred

values and the accurate reading will depend upon the internal resistance of the meter. But this is near enough for a quick check. The built Tri-pus uses three clip leads of differing lengths to avoid the ends touching accidentally.



To use – simply connect –ve to the negative terminal and try a first test with the 50uA lead.

If the movement barely moves, try the 1mA clip.

Should a trader object you connecting the Tri-pus to his meter, you don't have to buy his meter.